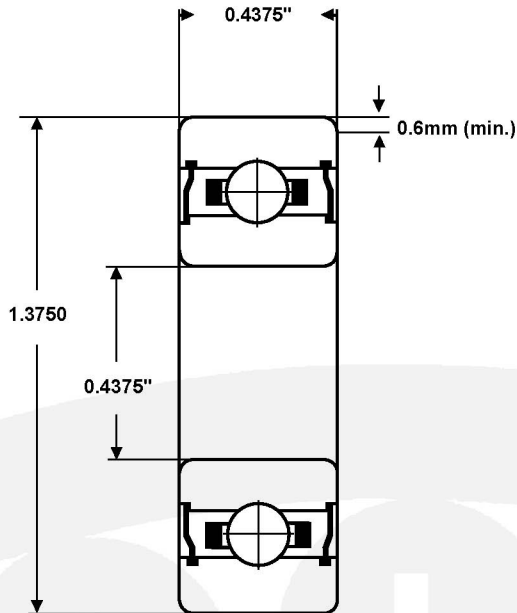


Part Number: 1620-2RS



| | |
|-------------------------------------|--------------------------------|
| Material (rings & balls) | SAE52100 chrome steel |
| Material (cage) | pressed steel |
| Closures | Rubber contact seals |
| Load rating (stat) | 316 Kgf |
| Load rating (dyn) | 742 Kgf |
| Speed Limit * | 14,000 rpm |
| Standard Lubrication ** | Kyodo Yushi Multemp SRL grease |

* with adequate lubrication

** may vary

These bearings comply with EU ROHS and REACH regulations.

| RADIAL PLAY | C2 | CN | C3 | C4 |
|-------------|-------|--------|---------|---------|
| (microns) | 0 - 9 | 3 - 18 | 11 - 25 | 18 - 33 |

| TOLERANCE | P0 | P6 | P5 |
|------------------------------|---------------|---------------|---------------|
| Bore Deviation | +0 / -0.008mm | +0 / -0.007mm | +0 / -0.005mm |
| OD Deviation | +0 / -0.011mm | +0 / -0.009mm | +0 / -0.007mm |
| Width Deviation | +0 / -0.120mm | +0 / -0.120mm | +0 / -0.040mm |
| Single Bore Variation | 8 | 7 | 4 |
| Single OD Variation | 16 | 13 | 5 |
| Inner Width Variation | 15 | 15 | 5 |
| Outer Width Variation | 15 | 15 | 5 |
| Inner Radial Runout | 10 | 6 | 4 |
| Outer Radial Runout | 20 | 10 | 7 |